

# BPM metal / stainless steel blank plates

for screw assembly / IP66



Blank plates to close cut-outs for standard multi-pin industrial connectors and numerous icotek cable entry components.

Blank plates are supplied with a gasket.

IP54

IP55

IP64

IP65

IP66

RoHS  
compliant



Made in  
Germany

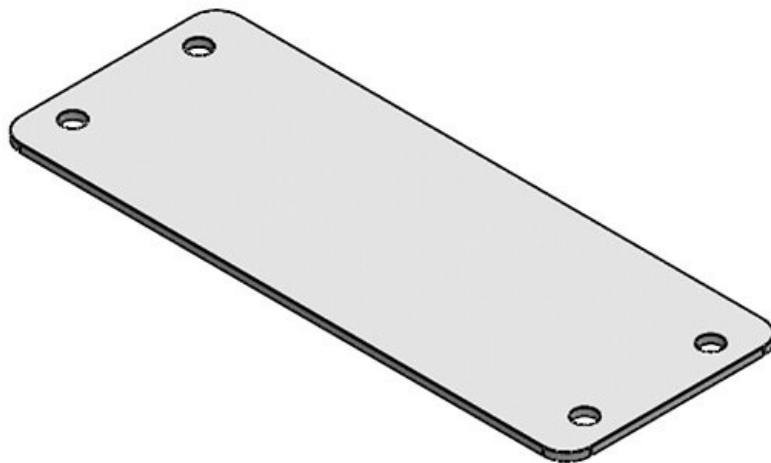
## Specifications

<b>IP rating (EN 60529)</b>	IP54, IP55, IP64, IP65, IP66
<b>Material</b>	Mild steel, galvanically zinc plated Stainless steel (V2A)
<b>Flame class</b>	UL94-V0, self-extinguishing
<b>Properties</b>	anti-corrosive (V2A versions)
<b>Mounting options</b>	Screw type mounting

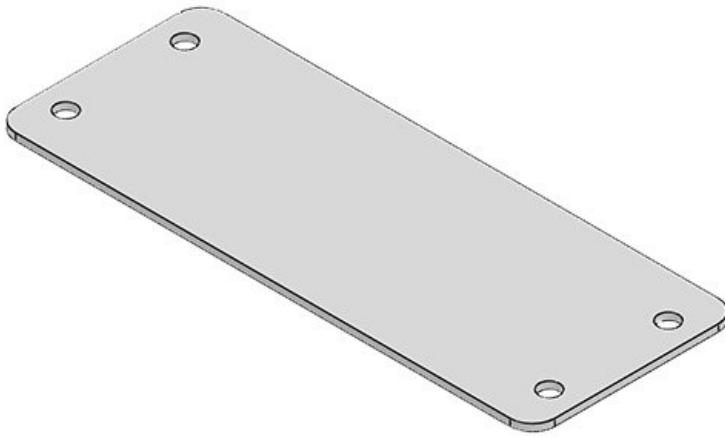
## Advantages & benefits

## Product types & sizes

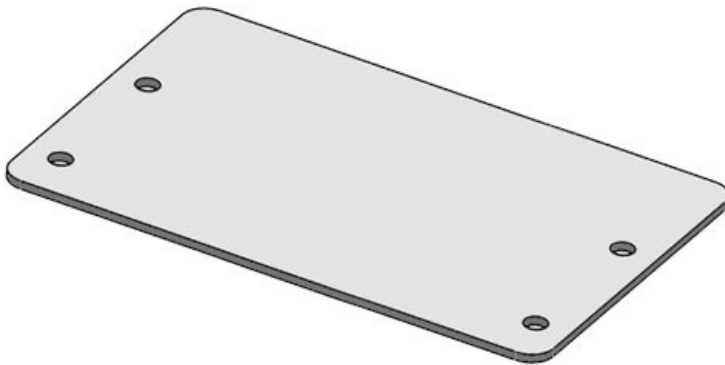
BPM 24



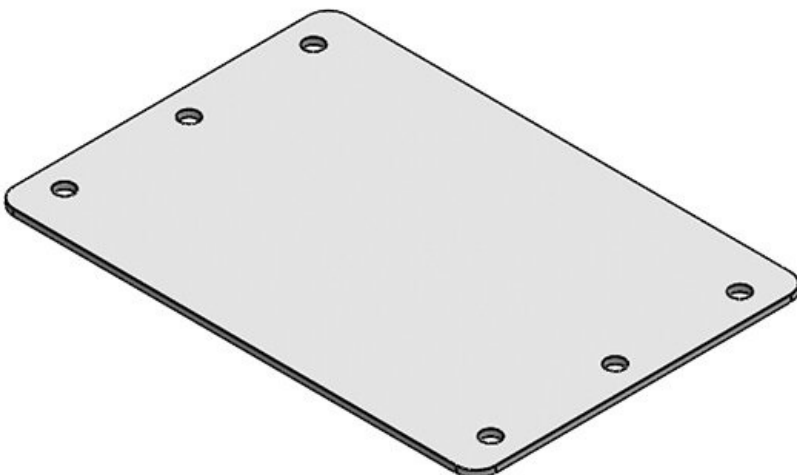
Part No.	<b>42027</b>	No. of screw	<b>4</b>
EAN	<b>4251269307</b>	holes	
	<b>553</b>	Diam. of screw	<b>5,5 mm</b>
Package quantity	<b>10</b>	holes	
Length	<b>145 mm</b>		
Width	<b>56 mm</b>		
Height	<b>2 mm</b>		
Cut-out size	<b>112 × 36 mm</b>		

**BPM 24 V2A**

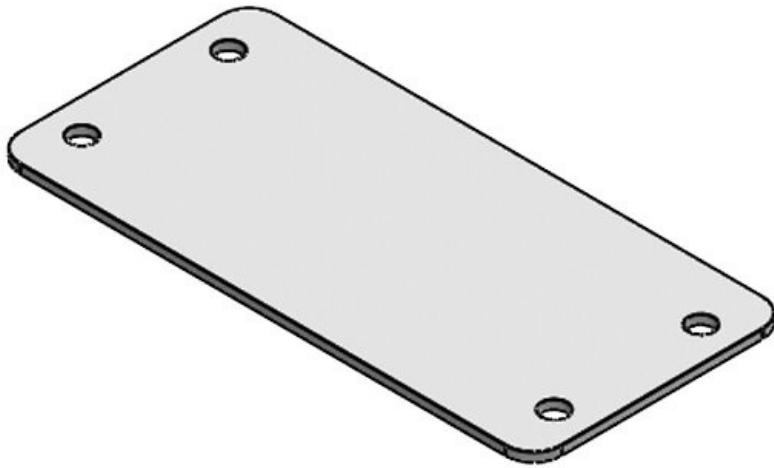
Part No.	<b>41995</b>	No. of screw	<b>4</b>
EAN	<b>4251269307</b>	holes	
	<b>355</b>	Diam. of screw	<b>5,5 mm</b>
Package quantity	<b>10</b>	holes	
Length	<b>145 mm</b>		
Width	<b>56 mm</b>		
Height	<b>2 mm</b>		
Cut-out size	<b>112 × 36 mm</b>		

**BPM 24-E**

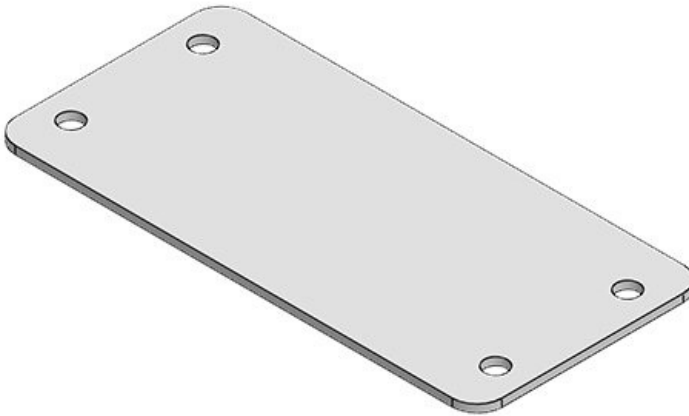
Part No.	<b>42029</b>	Diam. of screw	<b>5,5 mm</b>
EAN	<b>4251269307</b>	holes	
	<b>577</b>		
Package quantity	<b>1</b>		
Length	<b>143 mm</b>		
Width	<b>83 mm</b>		
Height	<b>2 mm</b>		
No. of screw holes	<b>4</b>		

**BPM 24-MT**

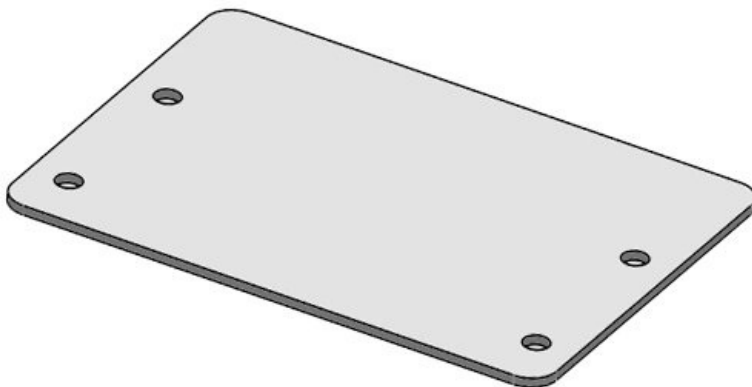
Part No.	<b>42028</b>	Diam. of screw	<b>5,5 mm</b>
EAN	<b>4251269307</b>	holes	
	<b>560</b>		
Package quantity	<b>1</b>		
Length	<b>147 mm</b>		
Width	<b>102 mm</b>		
Height	<b>2 mm</b>		
No. of screw holes	<b>6</b>		

**BPM 16**

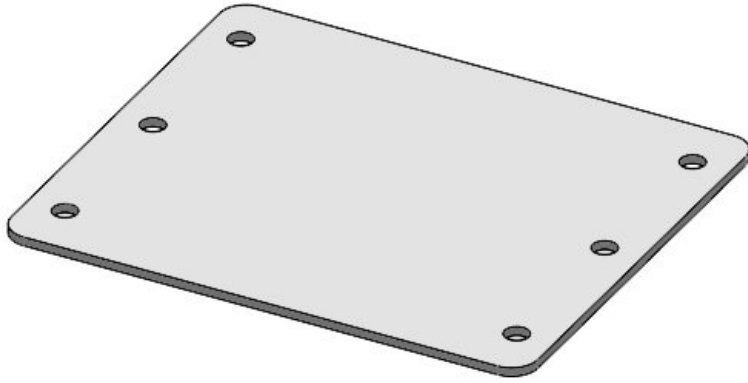
Part No.	<b>42025</b>	No. of screw	<b>4</b>
EAN	<b>4251269307</b>	holes	
	<b>539</b>	Diam. of screw	<b>5,5 mm</b>
Package quantity	<b>10</b>	holes	
Length	<b>118 mm</b>		
Width	<b>56 mm</b>		
Height	<b>2 mm</b>		
Cut-out size	<b>86 x 36 mm</b>		

**BPM 16 V2A**

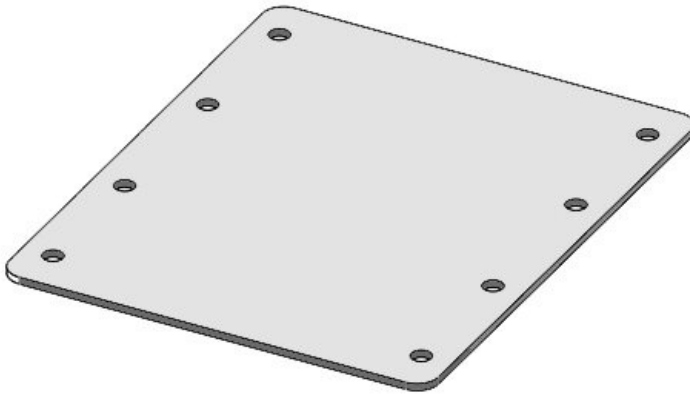
Part No.	<b>41994</b>	No. of screw	<b>4</b>
EAN	<b>4251269307</b>	holes	
	<b>348</b>	Diam. of screw	<b>5,5 mm</b>
Package quantity	<b>10</b>	holes	
Length	<b>118 mm</b>		
Width	<b>56 mm</b>		
Height	<b>2 mm</b>		
Cut-out size	<b>86 x 36 mm</b>		

**BPM 16-E**

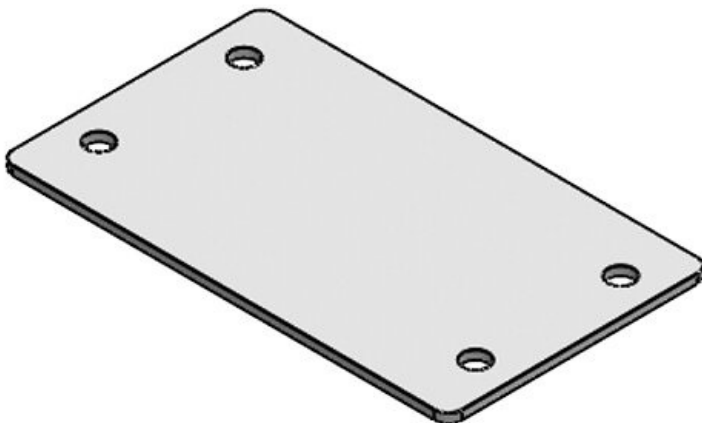
Part No.	<b>42023</b>	Diam. of screw	<b>5,5 mm</b>
EAN	<b>4251269307</b>	holes	
	<b>508</b>		
Package quantity	<b>1</b>		
Length	<b>120 mm</b>		
Width	<b>87 mm</b>		
Height	<b>2 mm</b>		
No. of screw holes	<b>4</b>		

**BPM 16-MT**

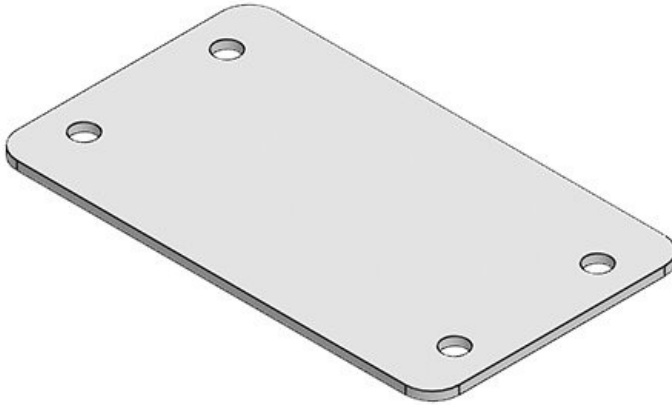
Part No.	<b>42026</b>	Diam. of screw <b>5,5 mm</b>
EAN	<b>4251269307</b>	holes
	<b>546</b>	
Package quantity	<b>1</b>	
Length	<b>120 mm</b>	
Width	<b>102 mm</b>	
Height	<b>2 mm</b>	
No. of screw holes	<b>6</b>	

**BPM 16-2MT**

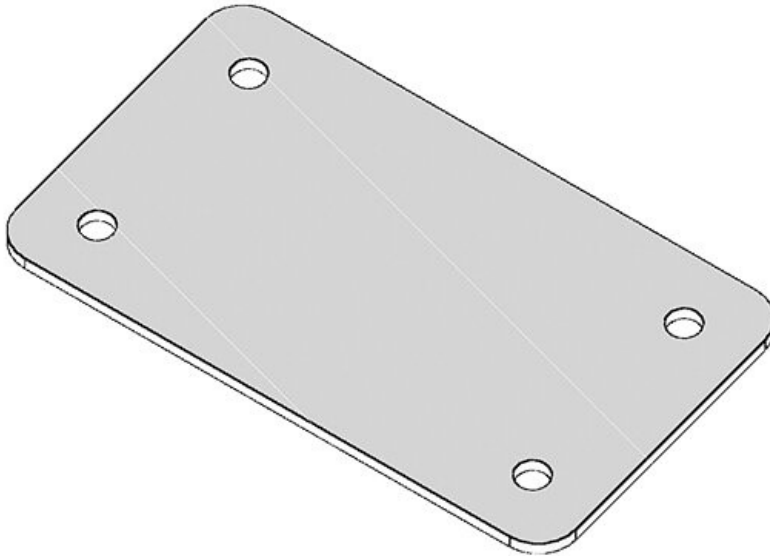
Part No.	<b>42031</b>	Diam. of screw <b>5,5 mm</b>
EAN	<b>4251269307</b>	holes
	<b>591</b>	
Package quantity	<b>1</b>	
Length	<b>120 mm</b>	
Width	<b>146 mm</b>	
Height	<b>2 mm</b>	
No. of screw holes	<b>8</b>	

**BPM 10**

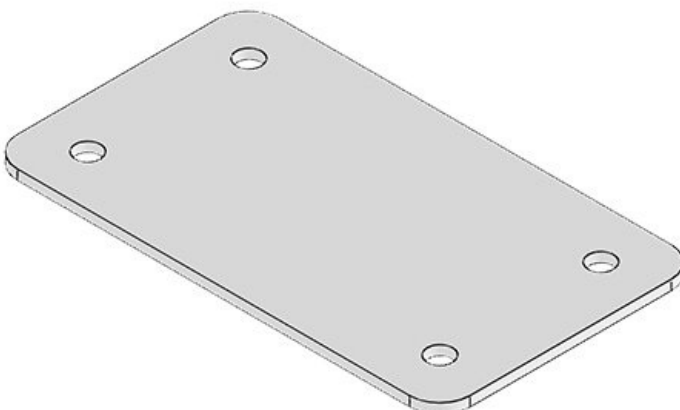
Part No.	<b>42014</b>	No. of screw <b>4</b>
EAN	<b>4251269307</b>	holes
	<b>447</b>	Diam. of screw <b>5,5 mm</b>
Package quantity	<b>10</b>	holes
Length	<b>99 mm</b>	
Width	<b>58 mm</b>	
Height	<b>2 mm</b>	
Cut-out size	<b>65 x 36 mm</b>	

**BPM 10 V2A**

Part No.	<b>41992</b>	No. of screw	<b>4</b>
EAN	<b>4251269307</b>	holes	
	<b>331</b>	Diam. of screw	<b>5,5 mm</b>
Package quantity	<b>10</b>	holes	
Length	<b>99 mm</b>		
Width	<b>58 mm</b>		
Height	<b>2 mm</b>		
Cut-out size	<b>65 × 36 mm</b>		

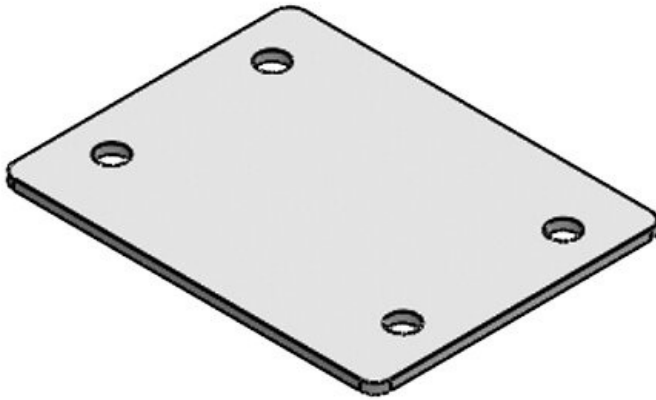
**BPM 6**

Part No.	<b>42011</b>	No. of screw	<b>4</b>
EAN	<b>4251269307</b>	holes	
	<b>416</b>	Diam. of screw	<b>5 mm</b>
Package quantity	<b>10</b>	holes	
Length	<b>90 mm</b>		
Width	<b>52 mm</b>		
Height	<b>2 mm</b>		
Cut-out size	<b>52 × 36 mm</b>		

**BPM 6 V2A**

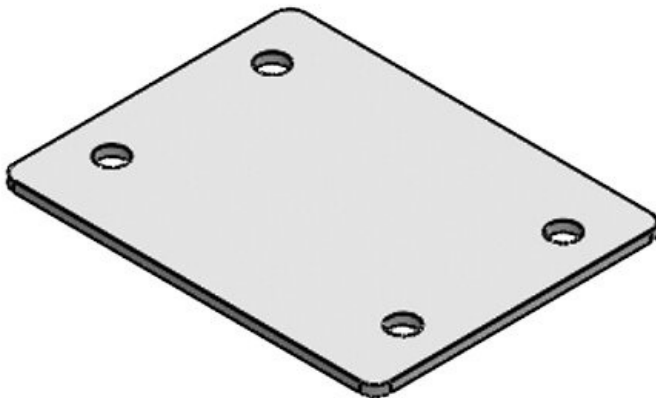
Part No.	<b>41991</b>	No. of screw	<b>4</b>
EAN	<b>4251269307</b>	holes	
	<b>324</b>	Diam. of screw	<b>5 mm</b>
Package quantity	<b>10</b>	holes	
Length	<b>90 mm</b>		
Width	<b>52 mm</b>		
Height	<b>2 mm</b>		
Cut-out size	<b>52 × 36 mm</b>		

BPM-B



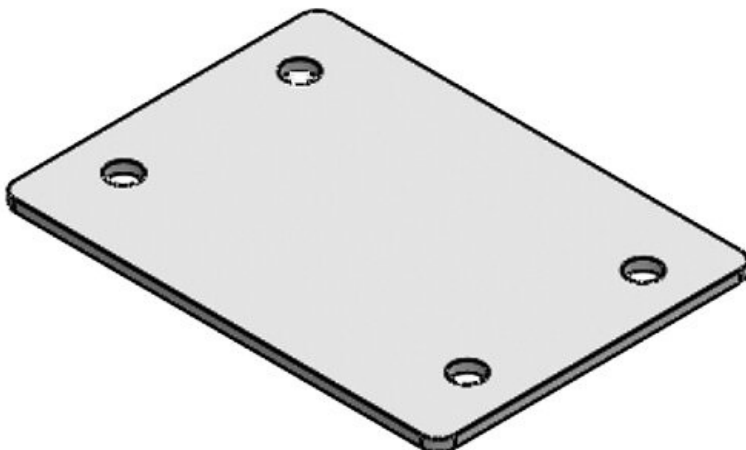
Part No.	<b>42013</b>	No. of screw	<b>4</b>
EAN	<b>4251269307</b>	holes	
	<b>430</b>	Diam. of screw	<b>5,5 mm</b>
Package quantity	<b>10</b>	holes	
Length	<b>75 mm</b>		
Width	<b>58 mm</b>		
Height	<b>2 mm</b>		
Cut-out size	<b>46 x 46 mm</b>		

BPM-B V2A



Part No.	<b>41996</b>	No. of screw	<b>4</b>
EAN	<b>4251269325</b>	holes	
	<b>380</b>	Diam. of screw	<b>5,5 mm</b>
Package quantity	<b>10</b>	holes	
Length	<b>75 mm</b>		
Width	<b>58 mm</b>		
Height	<b>2 mm</b>		
Cut-out size	<b>46 x 46 mm</b>		

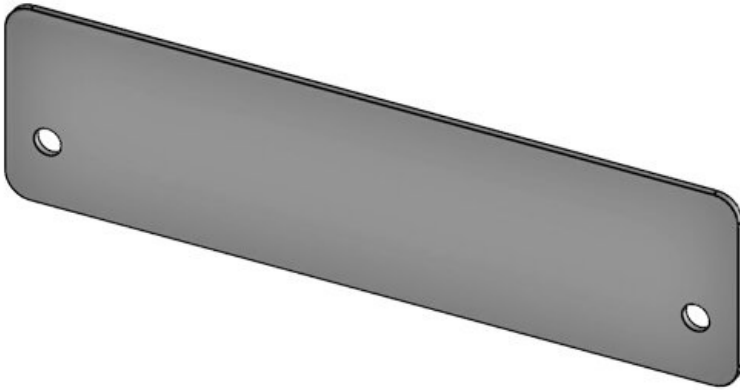
BPM-FG-B



Part No.	<b>42012</b>	Diam. of screw	<b>5,5 mm</b>
EAN	<b>4251269307</b>	holes	
	<b>423</b>		
Package quantity	<b>10</b>		
Length	<b>80 mm</b>		
Width	<b>58 mm</b>		
Height	<b>2 mm</b>		
No. of screw holes	<b>4</b>		

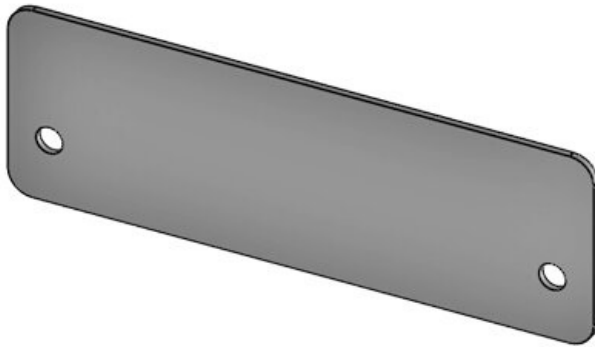
BPM-E5

Part No.	<b>42051</b>	No. of screw	<b>2</b>
EAN	<b>4251269318</b>	holes	
	<b>290</b>	Diam. of screw	<b>5,5 mm</b>
Package quantity	<b>10</b>	holes	
Length	<b>147 mm</b>		
Width	<b>39,5 mm</b>		
Height	<b>2 mm</b>		
Cut-out size	<b>112 × 24 mm</b>		



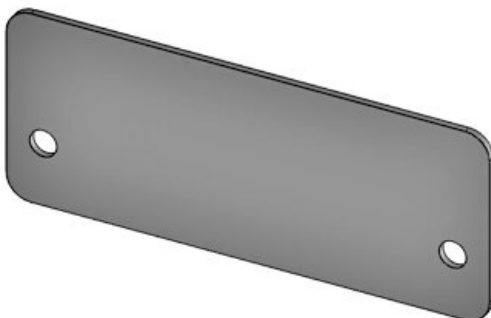
BPM-E4

Part No.	<b>42050</b>	No. of screw	<b>2</b>
EAN	<b>4251269318</b>	holes	
	<b>283</b>	Diam. of screw	<b>5,5 mm</b>
Package quantity	<b>10</b>	holes	
Length	<b>120 mm</b>		
Width	<b>39,5 mm</b>		
Height	<b>2 mm</b>		
Cut-out size	<b>86 × 24 mm</b>		

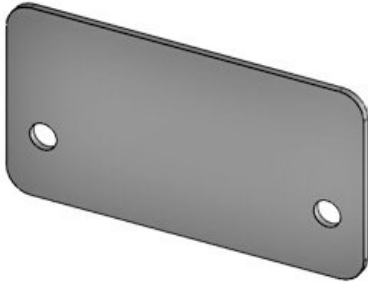


BPM-E3

Part No.	<b>42049</b>	No. of screw	<b>2</b>
EAN	<b>4251269318</b>	holes	
	<b>276</b>	Diam. of screw	<b>5,5 mm</b>
Package quantity	<b>10</b>	holes	
Length	<b>98 mm</b>		
Width	<b>39,5 mm</b>		
Height	<b>2 mm</b>		
Cut-out size	<b>65 × 24 mm</b>		

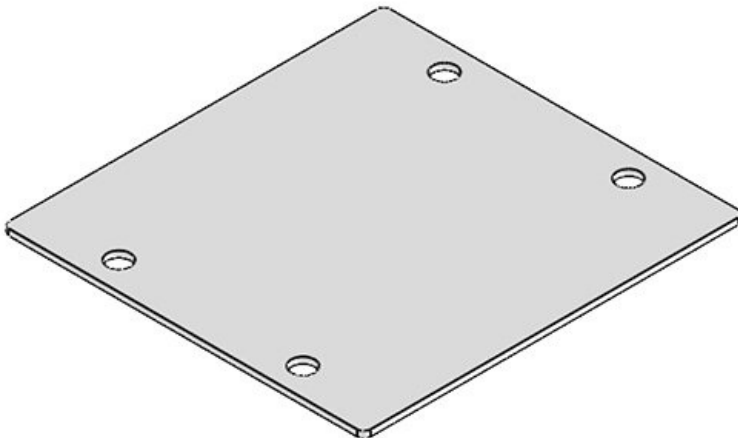


BPM-E2



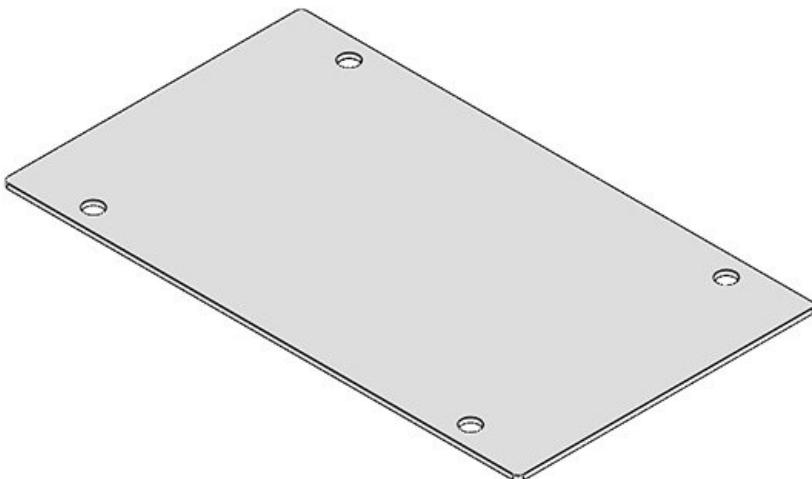
Part No.	<b>42048</b>	No. of screw	<b>2</b>
EAN	<b>4251269318</b>	holes	
	<b>269</b>	Diam. of screw	<b>5,5 mm</b>
Package quantity	<b>10</b>	holes	
Length	<b>73 mm</b>		
Width	<b>39,5 mm</b>		
Height	<b>2 mm</b>		
Cut-out size	<b>43 x 24 mm</b>		

BPM-JUMBO 1



Part No.	<b>42030</b>	Diam. of screw	<b>7 mm</b>
EAN	<b>4251269307</b>	holes	
	<b>584</b>		
Package quantity	<b>1</b>		
Length	<b>116 mm</b>		
Width	<b>110 mm</b>		
Height	<b>2 mm</b>		
No. of screw holes	<b>4</b>		

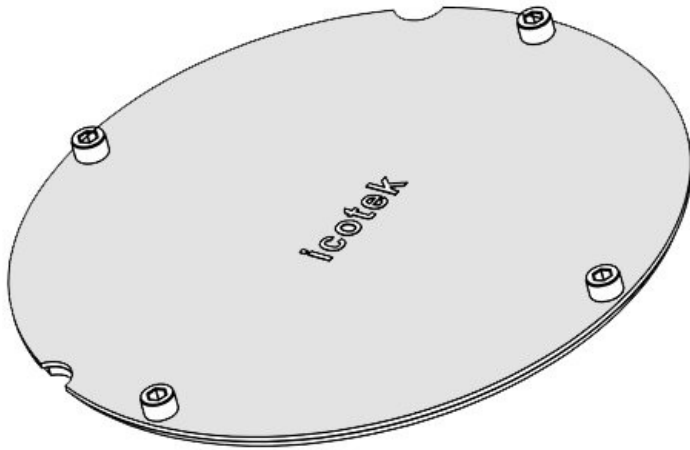
BPM-JUMBO 2



Part No.	<b>42032</b>	Diam. of screw	<b>7 mm</b>
EAN	<b>4251269307</b>	holes	
	<b>607</b>		
Package quantity	<b>1</b>		
Length	<b>200 mm</b>		
Width	<b>116 mm</b>		
Height	<b>2 mm</b>		
No. of screw holes	<b>4</b>		

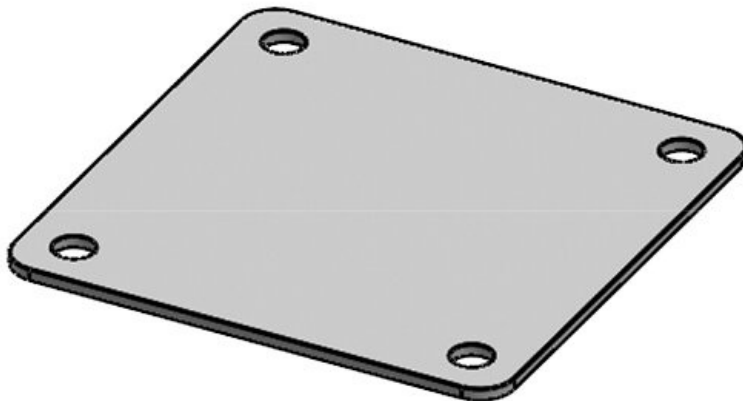


**BPM-ULTRA flex**



Part No.	<b>42633</b>	No. of screw	<b>8</b>
EAN	<b>4251269309</b>	holes	
	<b>076</b>	Diam. of screw	<b>5 mm</b>
Package	<b>1</b>	holes	
quantity		For max. wall	<b>1,5 mm</b>
Height	<b>1 mm</b>	thickness	
Cut-out size,	<b>168 mm</b>		
round			

**BPM JUMBO flex**



Part No.	<b>42033</b>	Diam. of screw	<b>7 mm</b>
EAN	<b>4251269307</b>	holes	
	<b>614</b>		
Package	<b>1</b>		
quantity			
Length	<b>88 mm</b>		
Width	<b>88 mm</b>		
Height	<b>2 mm</b>		
No. of screw	<b>4</b>		
holes			